



PROJECT		REF		REV	ITEM CODE	
LOCATION		DATE			PAGE	

SANITARY WARE SPECIFICATION SHEET

Item Descriptions	GROHE (Germany) "Euphoria System 180" Chrome plated shower system with thermostat for wall mounting; nominated flow rate 8 L/min in WELS Grade 1; Registration No. SB 16-0022; nominated flow rate 7.2 L/min in WELS Grade 1; Registration No. SB 10-0014
Dimensions	Refer to drawings
Model	27296001
Material	Chrome Plated
Country of Origin	Portugal / Germany
Manufacturer	GROHE Limited
Supplier	Acme Sanitary Ware Co. Ltd Mr. Eric Wong/ Mr. Don Yuen
Contact Tel/Fax	(852) 2388-7171 / (852) 2710-8012
E-mail	acme@acmesanitary.com.hk
Website	www.acmesanitary.com.hk

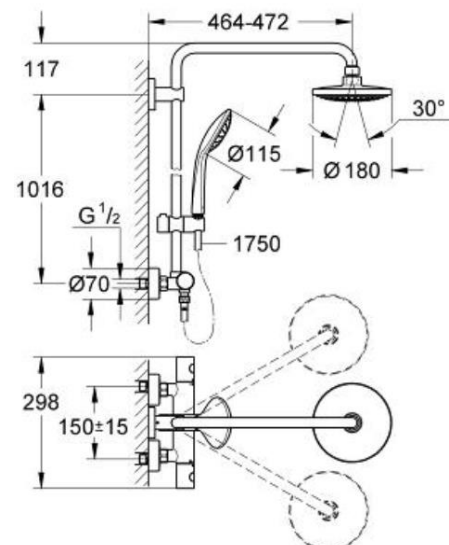
Illustration/ Drawing

27239000 HAND SHOWER

Dynamic flow pressure (kPa)	50	150	250	350	500
Flow rate (l/min)	5.80	7.60	8.30	8.00	8.10

27492000 SHOWER HEAD

Dynamic flow pressure (kPa)	50	150	250	350	500
Flow rate (l/min)	3.80	6.80	7.20	7.50	7.70

**Euphoria System 180****Shower system with thermostat for wall mounting**

consisting of:

horizontal swivable 450 mm shower arm

exposed thermostat with Aquadimmer function

allows change between:

Euphoria Cosmopolitan 180 head shower (27 491 000)

spray pattern: Rain

with ball joint

rotation angle ± 15°

hand shower Euphoria 110 Massage (27 221)

adjustable in height with gliding element

Silverflex shower hose 1750 mm (28 388)

GROHE TurboStat compact cartridge with wax thermoelement**GROHE SafeStop** safety button at 38°C**GROHE SafeStop Plus** optional temperature limiter at 43°C included**GROHE DreamSpray** perfect spray pattern**GROHE StarLight** chrome finish

SpeedClean anti-lime system

Inner WaterGuide for a longer life

Twistfree to prevent hose from twisting

suitable for instantaneous heaters from 18 kW/h

minimum flow rate 7 l/min

min. recommended pressure 1.0 bar

optional upgrade: GROHE EasyReach tray (26 362), sold separately

Note:

* All information of the above is for the reference only. No prior notice is made if any changes.




自願參與用水效益標籤計劃 - 沐浴花灑
Voluntary Water Efficiency Labelling Scheme - Showers for Bathing



茲證明
This is to certify that

將下列花灑在本計劃內註冊：
has registered the following shower under this scheme :

牌子 / Brand	:	GROHE
型號 / Model	:	27492000
原產地 / Country or Region Origin	:	Germany

在用水效益標籤上展示的標誌 <i>Symbolic Presentation on the Water Efficiency Label</i>	:		滴水點 <i>Water droplet(s)</i>
用水效益級別 <i>Water Efficiency Grade</i>	:	1	
耗水量 <i>Water Consumption</i>	:	8	公升/分鐘 <i>litres/minute</i>

簽發日期:
Date of Issue: 9 January 2017

 水務署
Water Supplies Department



水務署署長(周世威代行)
for Director of Water Supplies




自願參與用水效益標籤計劃 - 沐浴花灑
Voluntary Water Efficiency Labelling Scheme - Showers for Bathing



茲證明
This is to certify that

將下列花灑在本計劃內註冊：
has registered the following shower under this scheme :

牌子 / Brand	:	GROHE
型號 / Model	:	27239 000
原產地 / Country or Region Origin	:	Germany

在用水效益標籤上展示的標誌 <i>Symbolic Presentation on the Water Efficiency Label</i>	:		滴水點 <i>Water droplet(s)</i>
用水效益級別 <i>Water Efficiency Grade</i>	:	1	
耗水量 <i>Water Consumption</i>	:	7.2	公升/分鐘 <i>litres/minute</i>

簽發日期:
Date of Issue: 27 April 2010



水務署署長(錢柱森代行)
for Director of Water Supplies



Department

七號入境事務大樓 48 樓

48/F, Immigration Tower, 7 Gloucester Road, Wan Chai, Hong Kong

本署檔號 : (2) in WSD 3321/2020 T/J(1567/2020)
Our ref.
來函檔號 :
Your ref.

電話 :
Tel.
傳真 : 2824 0578
Fax.

18 January 2021

[Faint, illegible text, likely bleed-through from the reverse side of the page.]

Approval of "GROHE" Thermostatic Mixer (General Acceptance No. C20210037)

Your letter ref. WRC/2387 dated 1 December 2020 refer.

Having considered the test report ref. J25675 issued on 6 November 2020 by Nutek Systems (HK) Ltd., this Authority accepts that the fitting described below complies with, and its use when correctly installed does not contravene, the Waterworks Ordinance and Regulations.


Name of Manufacturer: Grohe AG

Country of Origin: Portugal

Brand: Grohe

Details of Fitting: 1/2" Wall mounted thermostatic shower mixer

Model: 27296XX1
(where the digits "XX" denote the code of colour)

Body Markings: 

Expiry Date: 5 October 2025



This Authority hereby permits the use of the above fitting in fresh water plumbing systems subject to full adherence to Waterworks installation requirements. In particular, you are required to draw your customers' attention to the following requirement-

"The cold water supply to the fitting shall be drawn from the same source that supplies the hot water apparatus so as to provide a balanced pressure and to obviate the risk of scalding in the event of a restriction or failure in the water supply." AND

"The shower head or handspray should not be placed in submerged conditions and should be securely fixed to the original position after use."

A condition of this acceptance is that the fitting to be installed shall be replicas of the sample as certified by the testing agent mentioned above and without modifications. This acceptance may be withdrawn at any time if the standard of the fitting installed fails to meet that of the approved sample or if the fitting is found to be unsuitable for use in fresh water plumbing systems.

This acceptance is only applicable to the main body of the fitting, unless otherwise specified.

For the use of the fitting in any project, the General Acceptance Number of this letter must be quoted as a means of identification of acceptance of the fitting by this Authority.

Should you have any enquiries, please contact our Engineer Mr. Terry KUNG at tel. no. 3583 4086.

Yours faithfully,


(CHAN Chung-kun)

for Director of Water Supplies

Encl.

c.c. WSD 3321/1/82] - without catalogue
 ME/MC] - with soft copy only